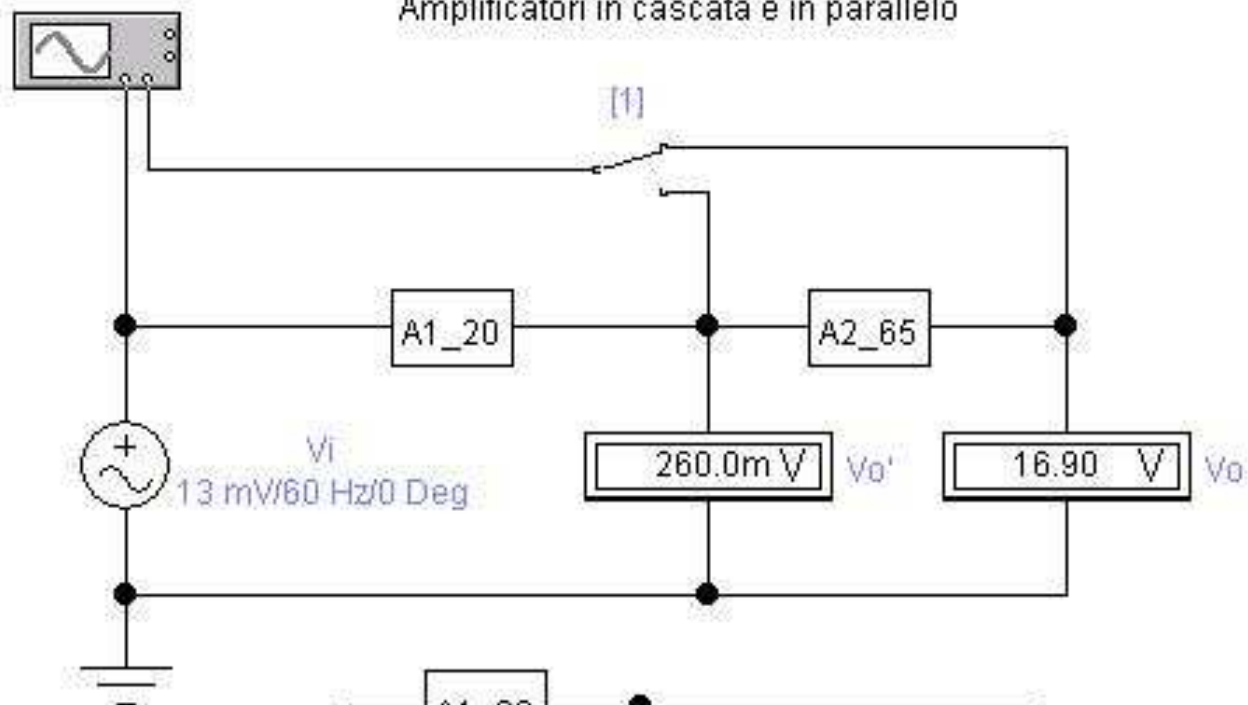


Amplificatori in cascata e in parallelo



Cascata

$A_t = 1300$ $A_{dB} = 38.59$ dB

$A_1 = 20$ $A_{1dB} = 26.02$ dB

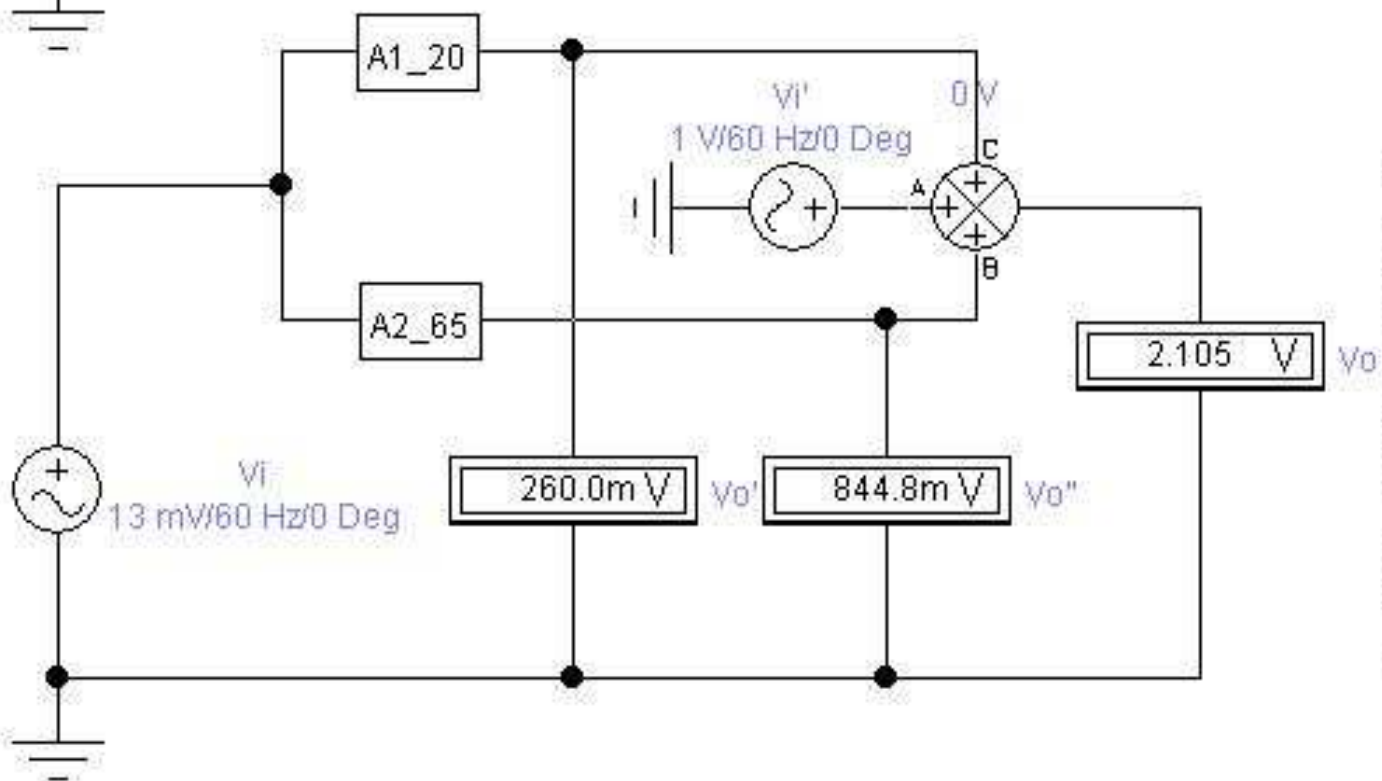
$A_2 = 65$ $A_{2dB} = 36.26$ dB

$A_3 = 1$ $A_{3dB} = 0$ dB

$V_i = 13$ mV

$V_{o'} = 260$ mV

$V_o = 16.90$ V



Parallelo

$A_t = 85$ $A_{dB} = 38.58$ dB

$A_1 = 20$ $A_{1dB} = 26.02$ dB

$A_2 = 65$ $A_{2dB} = 36.26$ dB

$A_3 = 1$ $A_{3dB} = 0$ dB

$V_i = 13$ mV

$V_i' = 1$ V

$V_{o'} = 260$ mV

$V_{o''} = 845.0$ mV

$V_o = 2.105$ V